

# USER MANUAL

## **Centaur Charger**

12/20

12/30

12/40

12/50

12/60

12/80

12/100

12/200

24/16

24/30

24/40

24/60

24/80

24/100

VICTRON ENERGY AT ANY TIME



victron energy

This publication or parts thereof, may not be reproduced in any form, by any method, for any purpose.

For conditions of use and permission to use this manual for publication in other than the English language, contact Victron Energy B.V.

VICTRON ENERGY B.V. MAKES NO WARRANTY, EITHER EXPRESSED OR IMPLIED, INCLUDING BUT NOT LIMITED TO ANY IMPLIED WARRANTIES OF MERCHANTABILITY OR FITNESS FOR A PARTICULAR PURPOSE, REGARDING THESE VICTRON ENERGY PRODUCTS AND MAKES SUCH VICTRON ENERGY PRODUCTS AVAILABLE SOLELY ON AN "AS IS" BASIS.

IN NO EVENT SHALL VICTRON ENERGY B.V. BE LIABLE TO ANYONE FOR SPECIAL, COLLATERAL, INCIDENTAL, OR CONSEQUENTIAL DAMAGES IN CONNECTION WITH OR ARISING OUT OF PURCHASE OR USE OF THESE VICTRON ENERGY PRODUCTS. THE SOLE AND EXCLUSIVE LIABILITY TO VICTRON ENERGY B.V., REGARDLESS OF THE FORM OF ACTION, SHALL NOT EXCEED THE PURCHASE PRICE OF THE VICTRON ENERGY PRODUCTS DESCRIBED HEREIN.

Victron Energy B.V. reserves the right to revise and improve its products as it sees fit. This publication describes the state of this product at the time of its publication and may not reflect the product at all times in the future.

# 1. Safety and regulatory information

## General

- Review related documentation of this product to familiarize yourself with safety markings and instructions before you operate the equipment.
- This product has been designed and tested in accordance with international standards. Only use the equipment for the intended purpose of application.
- **WARNING: RISK OF ELECTRIC SHOCK.** The product is used in conjunction with a permanent energy source (battery). Even if the equipment is switched off, dangerous electrical voltages may appear at the in- and/or output terminals. Always disconnect AC power and battery before maintaining or servicing the product. A Ground Fault Circuit Interrupter (GFCI) must be installed in the AC supply circuit.
- There are no user-serviceable parts inside. Do not remove the front plate or operate the product without the front plate fitted. Refer all servicing to qualified personnel.
- Never use the product in locations where there is danger of gas- or dust explosions. Consult your supplier to ensure that the product is intended for use in conjunction with the battery. Always apply the battery manufacturer's safety instructions.
- Caution: never carry heavy loads without assistance.
- Explosive gases can be generated during charging of a lead-acid battery. Prevent open flame and sparks. Take care of sufficient ventilation during charging.
- Never try to recharge non-rechargeable batteries.
- A double-pole switch with a minimum contact distance of 3mm must be incorporated in the fixed mains input wiring of the installation.

## Installation

- The installation of this product must be performed by qualified personnel.
- Always refer to the installation section in the operator's manual before applying power to the equipment.
- This is a Safety Class I product (provided with a protective earthing terminal). An uninterruptible safety earth ground must be provided at the AC in/output terminals. An additional grounding point is located at the outside of the product. Whenever it is likely that the grounding protection has been impaired, the product must be made inoperative and secured against any unintended operation; refer to qualified service personnel.
- Make sure that fuses and circuit breakers are provided in the connecting wires. Never replace a safety component by a different type. Consult the manual for determining the correct component.
- Make sure that all cables and wiring in the installation are anchored such that the conductors are relieved from strain and twisting.
- Before applying power, verify that the available power source matches the configuration settings of the product as described in the manual.
- Ensure that the environmental conditions are suitable for operation of the equipment. Never operate the product in a wet or in a dusty environment.
- Always allow enough free space around the product for ventilation and make sure that ventilation vents are not blocked.
- Be sure that the demanded power does not exceed the capacity of the product.
- This device is a continuous duty automatic charger for rechargeable open, sealed and gel lead acid batteries
- For supply connection use wires suitable for at least 75°C (167°F).
- CAUTION: Replace defective cords or wires immediately.

### **Transport and storage**

- When storing or transporting the product make certain that mains power and battery leads are disconnected.
- No liability can be accepted for any transport damage when equipment is shipped in non-original packaging.
- Store the product in a dry location; storage temperature must be between  $-20^{\circ}\text{C}$  and  $60^{\circ}\text{C}$ .
- Refer to the battery manufacturer manual concerning transport, storage, charging, recharging and disposal of the battery.

## 2. Description

---

### Technology

The Centaur Charger is a fully high-frequency switched battery charger. The input is electronically power factor corrected by the first power stage.

The next stage gives provision for galvanic isolation and a perfect DC voltage at the output terminals.

The internal electronic parts are protected against moisture and dirt by means of a special coating, which assures a long lifetime of your battery charger.

Three high-capacity batteries can be charged simultaneously with this charger.

### Operation

The battery charger charges the battery with 3-stage (Bulk-Absorption-Float) charging characteristic. It can remain connected to the battery continuously, without increased gas formation, caused by overcharging, taking place.

The charger can be used for different types of batteries but the default settings are for Gel batteries.

For use with other types of batteries please select Lead acid or AGM by opening front bottom cover and select dipswitch in bottom left hand corner. See Figure 1.

The full charging current of this Charger is divided in three main outputs but any one output can supply 100% of power if that is the only battery connected.

# TROUBLESHOOTING

<b>Problem</b>	<b>Possible cause</b>	<b>Solution</b>
Charger does not function	The mains is not ok	Measure mains
	Input or output fuses are defective	Return product to your dealer
The battery does not get fully charged	A bad battery connection	Check battery connection
	The battery select switch is in wrong setting	Select correct battery type (see Fig1)
	Battery capacity too large	Make sure charger capacity matches battery
The battery is being overcharged	The battery select switch is wrong setting	Select correct battery type (see Fig1)
	A single cell in battery is defective	Replace battery
	Too small battery	Consult your battery supplier

## 3. Installation

---

**WARNING:** Qualified personnel only

### Instructions

1. Mount wall bracket (for top holding) of the battery charger, make sure it is level.
2. Install three screws.
3. Open cover by removing four screws, on front bottom cover.
4. Put charger on mounting bracket and mark the Bottom of the two (M6-D-holes) mounting holes.
5. Install M6 screws.
6. Install AC cord to input terminal strip marked E, N, L, be sure to use the correct size wire (per ABYC regulations) to use for the input current marked on the label of charger.
7. Cut DC inlet plugs to cable size, then connect battery cables to DC lugs marked +DC & -DC. The -DC is used common for all three batteries. If there are less than three batteries, pick any +DC; all are capable of full current load. Select appropriate size wire (per ABYC regulations).
8. Select battery type by pushing the appropriate dipswitch at bottom left corner of board. Note: This unit is selected for GEL; if you change battery type DESELECT GEL, (See Figure 1).
9. Replace top cover and reinstall four screws on cover.
10. Apply power and verify Green Led is on (bottom left of PC board, look through bottom left air vents).



## Location

The Centaur Charger must be installed in a dry, well-ventilated area.

Too high an ambient temperature has the consequence of lower output, shorter life or a complete shutdown of the Centaur Charger.

The Centaur Charger is suitable for floor and wall mounting.

However, for optimum cooling, a vertical position is recommended.

The cables between the Centaur Charger and the battery must be kept as short as possible to minimize cable losses. Input/output connections refer to Figure 1.

## Required tools and cables

- M6 Socket driver.
- Crosshead screwdriver no. 2 Phillips.
- Battery cables: minimum cable cross-section

Model	Length 0 - 6 n
12/20 24/16	10 mm <sup>2</sup> AWG 7
12/30 12/40 24/30 24/40	16 mm <sup>2</sup> AWG 5
12/50 12/60 24/60	25 mm <sup>2</sup> AWG 3
12/80 12/100 24/80 24/100	35 mm <sup>2</sup> AWG 2
12/200	50 mm <sup>2</sup> AWG 0

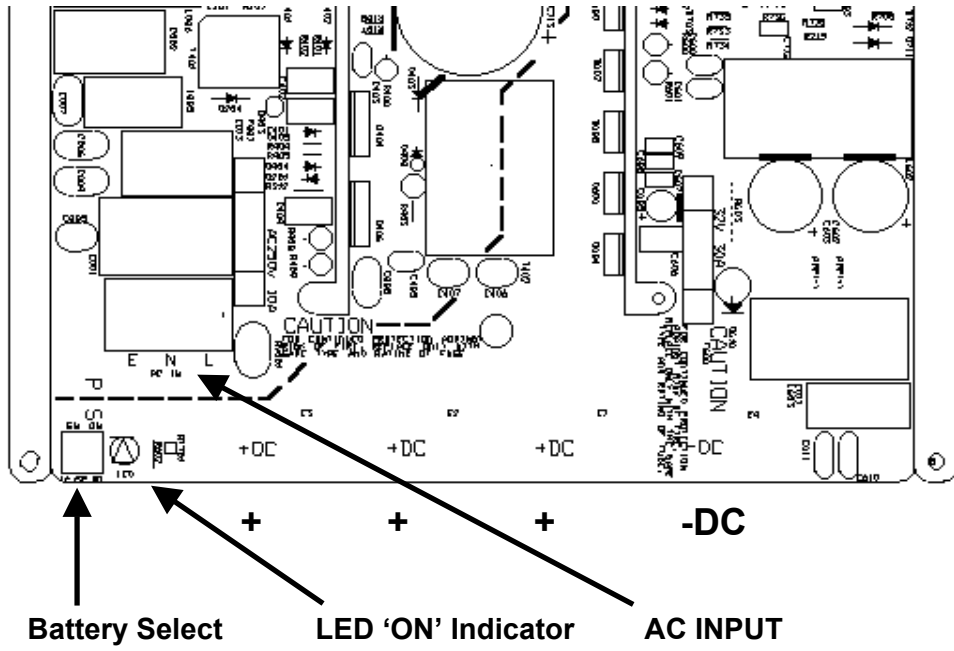
Cables longer than 6 m are not recommended.  
 Cable eyes with M6/8 holes should be used.  
 For supply connection use wires suitable for at least 75°C (167°F).

**CAUTION:** Replace defective cords or wires immediately.

**Connection sequence**

- Disconnect mains.
- Disconnect battery cables from the battery.
- Open front cover.
- Connect battery cables to the charger. Note that there's only one "minus"- Use a fuse according the size of the battery charger.
- Connect battery cables to the battery.
- Connect the AC-in by means of a 3-core cable of 2.5 – 4 mm<sup>2</sup> flexible core to the AC-in terminal block. Note that a real PE-connection is strictly necessary.
- Close the front panel.

Change voltage at appr. 10% of the nominal current				
	Absorption		Float	
	12V	24V	12V	24V
<b>LA</b>	14.5	29.0	13.5	27.0
<b>AGM</b>	14.3	28.6	13.3	26.6
<b>GEL</b>	14.2	28.4	13.5	27.0
<b>Other</b>	14.7	29.4	13.7	27.4



LA			

AGM			

GEL			

Other			

**FIGURE 1 INPUT/ OUTPUT CONNECTIONS**



Serial number:

Distributor:

Victron Energy B.V.  
The Netherlands

General phone: +31 (0)36 535 97 00  
Customer support desk: +31 (0)36 535 97 77  
General and Service fax: +31 (0)36 531 16 66  
Sales fax: +31 (0)36 535 97 40

E-mail: [sales@victronenergy.com](mailto:sales@victronenergy.com)  
Internet site: <http://www.victronenergy.com>

Article number: ISM001001000  
Version: 03  
Date: 08-07-2004

